

(19) World Intellectual Property Organization
International Bureau



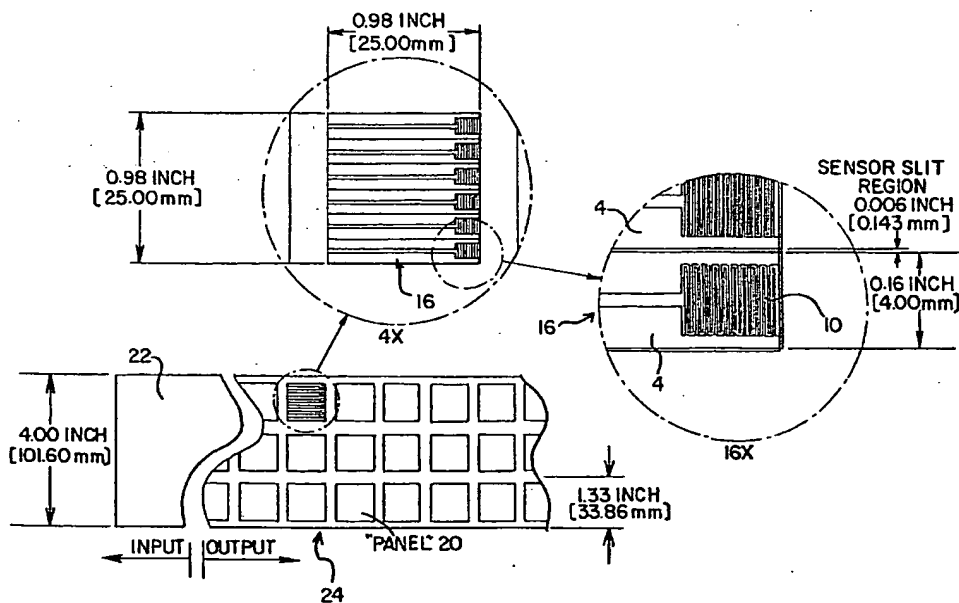
(43) International Publication Date
12 April 2001 (12.04.2001)

PCT

(10) International Publication Number
WO 01/25775 A1

- (51) International Patent Classification⁷: G01N 27/30, 33/487
- (21) International Application Number: PCT/US00/27197
- (22) International Filing Date: 3 October 2000 (03.10.2000)
- (25) Filing Language: English
- (26) Publication Language: English
- (30) Priority Data:
09/411,940 4 October 1999 (04.10.1999) US
- (71) Applicant: ROCHE DIAGNOSTICS CORPORATION
[US/US]; 9115 Hague Road, Indianapolis, IN 46250-0457 (US).
- (72) Inventor: BHULLAR, Raghbir, Singh; 6130 Chadsworth Way, Indianapolis, IN 46236 (US).
- (74) Agent: DUNCAN, Jeffery, M.; Brinks Hofer Gilson & Lione, P.O. Box 10087, Chicago, IL 60610 (US).
- (81) Designated States (*national*): AE, AG, AL, AM, AT, AU, AZ, BA, BB, BG, BR, BY, BZ, CA, CH, CN, CR, CU, CZ, DE, DK, DM, DZ, EE, ES, FI, GB, GD, GE, GH, GM, HR, HU, ID, IL, IN, IS, JP, KE, KG, KP, KR, KZ, LC, LK, LR, LS, LT, LU, LV, MA, MD, MG, MK, MN, MW, MX, MZ, NO, NZ, PL, PT, RO, RU, SD, SE, SG, SI, SK, SL, TJ, TM, TR, TT, TZ, UA, UG, UZ, VN, YU, ZA, ZW.
- (84) Designated States (*regional*): ARIPO patent (GH, GM, KE, LS, MW, MZ, SD, SL, SZ, TZ, UG, ZW), Eurasian patent (AM, AZ, BY, KG, KZ, MD, RU, TJ, TM), European patent (AT, BE, CH, CY, DE, DK, ES, FI, FR, GB, GR, IE, IT, LU, MC, NL, PT, SE), OAPI patent (BF, BJ, CF, CG, CI, CM, GA, GN, GW, ML, MR, NE, SN, TD, TG).
- Published:
— With international search report.
— Before the expiration of the time limit for amending the claims and to be republished in the event of receipt of amendments.
- For two-letter codes and other abbreviations, refer to the "Guidance Notes on Codes and Abbreviations" appearing at the beginning of each regular issue of the PCT Gazette.*

(54) Title: PATTERNED LAMINATES AND ELECTRODES WITH LASER DEFINED FEATURES



WO 01/25775 A1

(57) Abstract: A method of making a patterned laminate includes ablating through a portion of a metallic layer with a laser, to form a pattern in the metallic layer, where the metallic layer is on and in contact with an insulating substrate. The patterned laminate may be patterned to form electrodes, and can be formed into an electrochemical sensor strip.

PATTERNED LAMINATES AND ELECTRODES WITH LASER DEFINED FEATURES

BACKGROUND OF THE INVENTION

5 The present invention relates to laser ablation to pattern a metallic layer, as well as an electrode for an electrochemical biosensor.

 Electrochemical biosensors are well known. They have been used to determine the concentration of various analytes from biological samples, particularly from blood. Electrochemical biosensors are described in U.S. Patent Nos. 5,413,690; 5,762,770 and 5,798,031; as well as in International
10 Publication No. WO99/13101, each of which are hereby incorporated by reference.

 An electrochemical biosensor typically includes a sensor strip. The sensor strip includes a space that holds the sample to be analyzed, may
15 include reagents to be released into the sample, and includes an electrode set. The electrode set normally includes an insulating substrate, electrodes that contact the sample, which have contact pads for electrically connecting the electrodes to the electronics of electrochemical biosensor.

 It is desirable for electrochemical biosensors to be able to analyze
20 electrolytes using as small a sample as possible, and therefore it is necessary to miniaturize the sensor strip, as well as its parts, including the electrodes, as much as possible. Usually screen printing techniques have been used to form miniaturized electrodes.

 Electrodes formed by screen printing techniques can only be formed
25 from composition that are both electrically conductive and which are screen printable. Furthermore, screen printing techniques only allow for the reliable formation of structures and patterns having a feature size of approximately 75 μm or greater. In addition, screen printing is a wet chemical process. It would be desirable to have a new method of forming electrodes which allows
30 for the use of different composition, and which can form features smaller than 75 μm .

Laser ablation is a technique using a laser to cut or mold a material. This technique usually uses a high power excimer laser, such as a krypton-fluoride excimer laser with an illumination wavelength of 248 nm, to blast away surface material. This technique has been used to ablate metals, polymers and even biological material, such as the cornea of the human eye. Such systems are well known to those of ordinary skill in the art, and are described in U.S. Patent Nos. 5,576,073 and 5,593,739, each of which is hereby incorporated by reference.

SUMMARY OF THE INVENTION

In one aspect, the invention is a method of making a patterned laminate comprising ablating through a portion of a metallic layer with a laser. The metallic layer comprises at least one member of gold, platinum, palladium and iridium. Furthermore, the metallic layer is on, and in contact with, an insulating substrate, for example, a polymer.

In another aspect, the invention is a method of making a electrode set, comprising ablating through a portion of a first metallic layer with a laser, to form an electrode pattern. The first metallic layer is on an insulating substrate.

In still another aspect, the invention is a method of making an electrode set ribbon, comprising ablating through a portion of a first metallic layer with a laser, to form a plurality of electrode patterns. The first metallic layer is on an insulating substrate, for example, a polymer. The electrode set ribbon comprises a plurality of electrode sets.

In yet another aspect, the present invention is an electrode set, comprising a first metallic layer, on an insulating substrate, comprising a plurality of electrodes. The first metallic layer has a feature size of less than 75 μm .

In yet another aspect, the present invention is a patterned laminate, comprising a patterned metallic layer on, and in contact with, an insulating substrate. The metallic layer comprises at least one of gold, platinum,

palladium and iridium. Furthermore, the insulating substrate comprises a polymer, and the patterned metallic layer has a feature size of less than 75 μm .

5 An advantage of the present invention is that it allows for the possibility of small feature sizes.

As used herein, the phrase "patterned laminate" means a multilayered structure that includes an overlayer through which an underlying layer is exposed, i.e. the overlayer has gaps and does not completely cover the underlying layer. The gaps or areas of exposure form the "pattern" of the patterned laminate. Furthermore, the term "pattern" means one or more
10 intentionally formed gaps having a feature size, for example, a single linear gap having a constant width, where the smallest width is the feature size. Not included in the term "pattern" are natural, unintentional defects.

As used herein, the phrase "feature size" is the smallest dimension of a gap found in a pattern.
15

As used herein, the phrase "electrode pattern" is a pattern which when formed in a metallic layer includes at least two, for example 2 to 60, or 3 to 20, electrodes which are not electrically connected to each other, but each of which includes its own contact pad.
20

As used herein, the phrase "metallic layer" refers to a layer made of a material that is a metallic conductor of electricity, such as a pure metal or alloys.

As used herein, the phrase "electrode set" is a set of at least two electrodes, for example 2 to 60, or 3 to 20, electrodes. These electrodes may be, for example, a working electrode and a reference electrode.
25

As used herein, the phrase "ablating" means the removing of material.

Other objects, features and advantages of the present invention will become apparent from the following detailed description. It should be understood, however, that the detailed description and the specific examples, while indicating embodiments of the invention, are given by way of illustration
30 only, since various changes and modifications within the spirit and scope of

the invention will become apparent to those skilled in the art from this detailed description.

BRIEF DESCRIPTION OF THE DRAWINGS

5 The following drawings form part of the present specification and are included to further demonstrate certain aspects of the present invention. The invention may be better understood by reference to one or more of these drawings in combination with the detailed description of specific embodiments presented herein:

10 Figure 1 illustrates an electrochemical sensor strip of the present invention;

 Figure 2 illustrates an exploded view of an electrochemical sensor strip of the present invention, more clearly showing each individual part;

 Figure 3 illustrates an electrode set of the present invention;

15 Figure 4 illustrates another electrode set of the present invention;

 Figure 5 illustrates still another electrode set of the present invention;

 Figure 6 is a schematic of still another electrode set of the present invention;

20 Figure 7 is a schematic of an electrode set ribbon of the present invention;

 Figure 8 is a schematic of a device of the present invention for making an electrode set ribbon of the present invention; and

 Figure 9 is a block diagram of a process of the present invention for making a sensor strip of the present invention.

25 DETAILED DESCRIPTION OF THE INVENTION

 Figure 1 illustrates the assembled electrochemical sensor strip **12**, which includes a base **1**, the contact pads **9** and **9** that are part of the electrodes. The sensing region **10** of the electrodes is also illustrated.

30 Figure 2 illustrates an exploded view of a sensor strip **12**, which includes a base **1**, adhesive foil **2** for holding the base to the electrode

substrate **3**. The electrode set **16** is on the electrode substrate **3**, and is partially covered by a dielectric **5**. A cover **8** is attached to one end of the dielectric with adhesive tape **7**. A small gap **13** in the dielectric, and a space **14** in the adhesive tape, together with the cover and the electrodes, form a pocket inside of which may be placed reagent **6** used to aid in electrochemically detecting and quantifying an analyte. This pocket can act as a capillary, drawing the fluid to be tested onto the sensing region **10** (not shown) of the electrodes. Alternatively, the cover may be absent, exposing the sensing region of the electrodes, and the sample may be directly applied onto this region.

Figure 3 illustrates an electrode set **16**, including two electrodes **4** and **4**. The electrodes have contact pads **9** and **9**, which are electrically connected to the sensing region **10** of the electrode. Also illustrated is dielectric **5** which covers the first and second electrodes, exposing only the sensing region and the contact pads.

Figures 4 and 5 illustrate two different electrode sets **16**, which each include a substrate **1**, and first and second electrodes **4** and **4**. The electrodes are separated by a gap **18** that prevents electrical contact between the two electrodes. For purposes of illustration, the regions of the electrodes which will become the sensing region **10**, and the contact pads, **9** and **9**, are shaded. The gap **18** corresponds to the feature size of this electrode set, since it is the smallest intentional feature. Figures 4 and 5 illustrate two different electrode patterns, one having a simple straight gap (Figure 4), and the other more complex and containing a rectilinear gap, forming a region of interlacing fingers of the two electrodes (Figure 5).

Figure 6 is a schematic of an electrode set of the present invention, including two electrodes **4** and **4**. The sensing region **10** of the electrodes contains interlacing fingers of the two electrodes, again a rectilinear gap. Also shown opposite the sensing region are the contact pads **9** and **9** of each electrode. The gap between the electrodes corresponds to the feature size, and may be 1 to 100 μm , preferably less than 75 μm , more preferably 5 to 50 μm , most preferably 10 to 30 μm . The gap passes completely through the

metallic layer so that the two electrodes are not electrically connected in the electrode set. The values for the dimensions illustrated in Figure 6 are for a single specific embodiment, and these values may be selected as need for the specific use. For example, the length of the electrode set may be 2.5 to 250 mm, the width may be 0.4 to 40 mm, the gap between the contact pads may be 1 μm to 5 mm, and the width of each contact pad may be 1 to 20 mm. The electrode pattern shown in Figure 6 (and other figures) is symmetric, however this is not required, and irregular or asymmetric patterns (or electrode shapes) are possible.

Figure 7 is a schematic of an electrode set ribbon 24. The ribbon includes a plurality of panels 20, each of which includes a plurality of electrode sets 16. Also shown is the original metallic laminate ribbon 22 that is subject to laser ablation to form the electrode set ribbon 24. The width of the ribbon is selected to accommodate the laser ablation system, and may be, for example, 40 to 0.4 inches. The ribbon may be any length, and is selected based on the desired number of electrode sets, and/or the ease of handling and transport of the ribbons. The size of each individual panel is selected to fit conveniently on the ribbon, and therefore each panel may contain 1 to 1000 electrode sets, preferably 2 to 20 electrode sets.

Figure 8 is a schematic of a device for producing electrode sets, in the form of an electrode set ribbon 24. First a roll of metallic laminate ribbon 22 is fed through guide rolls 28 into a laser ablator 26. In the laser ablator the metallic layer of the metallic laminate ribbon is ablated with the laser, in an electrode pattern, to form the electrode set ribbon 24. The electrode set ribbon 24 is then passed through more guide rolls 28, with a tension loop to adjust the tension of the ribbon, and through an optional inspection camera 30, which may be used to check for defects. Next, optionally, the electrode set ribbon 24 may be laminated with an adhesive foil ribbon 32, in a laminator 36, to form a laminated electrode set ribbon 34, which is then guided through guide rolls 28, and rolled up.

Figure 9 is a block diagram of a process for making an electrochemical sensor strip of the present invention. As shown, in step 110 the metallic

lamine ribbon 22 is ablated by laser ablation to form an electrode set ribbon, and then laminated with adhesive foil ribbon 32 to form a laminated electrode set ribbon 34. In step 120 the laminated electrode set ribbon 34 is screen printed with a UV curable dielectric 50, which forms the dielectric 5 (not shown) of each sensor strip, forming a dielectric covered ribbon 38. In step 130 the starting reagents 40 are compounded to form reagent 6, and then in step 140 the reagent is applied onto the dielectric covered ribbon 38, the ribbon is split into reels, each one panel wide, to form reagent covered panel reels 44.

In step 150 the reagent covered panel reels 44 are covered with clear polyester roll 52 attach through double sided adhesive tape roll 54, which forms the clear cover 8 (not shown) and adhesive tape 7 (not shown) of each sensor strip. The product of step 150, clear covered panel reels 46, are then split into individual sensor reels, each one electrode set wide, and laminated with a base substrate roll 56, in step 160, which forms the base 1 (not shown) of each sensor strip, to form sensor reels 48. In step 170 the sensor reels are cut into individual sensor strips 12 (not shown) which are sorted and packed into vials 60, each closed with a stopper 58, to give packaged sensor strips 62. In steps 150 and 160, a liner is release in order to attach the base and cover.

A laser system capable of ablating the metallic layer, to form the individual electrode sets, is well known to those of ordinary skill in the art. Examples include excimer lasers, with the pattern of ablation controlled by lenses, mirrors or masks. An example of such a system is the LPX-400, or LPX-200, both from LPKF LASER ELECTRONIC, GMBH of Garbsen, Germany.

The metallic laminate is a metallic layer on the electrode substrate. The metallic layer may contain pure metals or alloys, or other materials which are metallic conductors. Examples include aluminum, carbon (such as graphite), cobalt, copper, gallium, gold, indium, iridium, iron, lead, magnesium, mercury (as an amalgam), nickel, niobium, osmium, palladium, platinum, rhenium, rhodium, selenium, silicon (such as highly doped

polycrystalline silicon), silver, tantalum, tin, titanium, tungsten, uranium, vanadium, zinc, zirconium, mixtures thereof, and alloys or metallic compounds of these elements. Preferably, the metallic layer includes gold, platinum, palladium, iridium, or alloys of these metals, since such noble metals and their alloys are unreactive in biological systems. The metallic layer may be any thickness, but preferably is 10 nm to 1 mm, more preferably, 20 nm to 100 μm , or even 25 nm to 1 μm . Figure 9 illustrates the process with a 50 nm gold film.

In the laser ablation process, the metallic layer may be ablated into an electrode pattern. Furthermore the patterned metallic layer may be coated or plated with additional metal layers. For example, the metallic layer may be copper, which is then ablated with a laser, into an electrode pattern; subsequently, the copper may be plated with a titanium/tungsten layer, and then a gold layer, to form the desired electrodes. Preferably, however, only a single layer of gold is used, which is directly in contact with the electrode substrate, since it allows for the entire elimination of wet chemical steps for the formation of the electrode sets.

The electrode substrate is formed from an insulating material, so that it will not provide an electrical connection between the electrodes of the electrode set. Examples include glass, ceramics and polymers. Preferably, the electrode substrate is a flexible polymer, such as a polyester or polyimide. An example of a suitable material would be the polyimide UPLEX from TECHNIMET of Connecticut, which is available pre-coated with gold, palladium or platinum; or ULTEM 1000 (polyetherimide) from GE, available coated with copper.

A UV curable dielectric and which is screen printable, may be used to form the dielectric, for example the polymer composition 5018 dielectric composition from DuPont. The clear cover is a clear material that is inert to biological fluids, for example glass, polyethylene, polypropylene, polyvinylchloride, polyimide, or polyester. The clear cover may have markings. The adhesive tape is also a flexible polymer having a surfaces

covered with an adhesive; these materials are also well known to those of ordinary skill in the art.

The base is a supporting structure, and is preferably made of flexible polymer material, with a thickness sufficient to provide support to the sensor strip, for example polyester with a thickness of 6 mils. The adhesive foil may be made for the same types of compositions as the adhesive tape.

The reagent is optional, and may be used to provide electrochemical probes for specific analytes. The starting reagents are the reactants or components of the reagent, and are often compounded together in liquid form before application to the ribbons or reels. The liquid may then evaporate, leaving the reagent in solid form. The choice of specific reagent depends on the specific analyte or analytes to be measure, and are well known to those of ordinary skill in the art. For example, a reagent for measurement of glucose in a human blood sample contains 62.2 mg polyethylene oxide (mean molecular weight of 100-900 kilodaltons), 3.3 mg NATROSOL 250 M, 41.5 mg AVICEL RC-591 F, 89.4 mg monobasic potassium phosphate, 157.9 mg dibasic potassium phosphate, 437.3 mg potassium ferricyanide, 46.0 mg sodium succinate, 148.0 mg trehalose, 2.6 mg TRITON X-100 surfactant, and 2,000 to 9,000 units of enzyme activity per gram of reagent. The enzyme is prepared as an enzyme solution from 12.5 mg coenzyme PQQ and 1.21 million units of the apoenzyme of quinoprotein glucose dehydrogenase, forming a solution of quinoprotein glucose dehydrogenase. This reagent is described in WO 99/30152, pages 7-10.

The processes and products described include disposable biosensors, especially for use in diagnostic devices. However, also included are electrochemical sensors for non-diagnostic uses, such as measuring an analyte in any biological, environmental, or other, sample. Furthermore, also included is any patterned laminate, preferably a patterned laminate of a noble metal (gold, platinum, palladium, iridium, alloys thereof) in direct contact with an insulating substrate, such as a polymer. Such laminates can have a variety of electrical function, including use as electrodes, electrical wires or connectors, microwave reflectors, etc. Preferably, these patterned laminates

have a feature size of 100 μm or less, more preferably 1 to 100 μm , even more preferably 75 μm or less, including 5 to 50 μm , or even 5 to 20 μm .

CLAIMS:

1. A method of making a patterned laminate, comprising:
ablating through a portion of a metallic layer with a laser, to form
a pattern in said metallic layer;
5 wherein said metallic layer is on, and in contact with, an
insulating substrate,
 said insulating substrate comprises a polymer, and
 said metallic layer comprises at least one member selected from
the group consisting of gold, platinum, palladium and iridium.
- 10 2. The method of Claim 1, wherein said pattern has a feature size
of less than 75 μm .
3. The method of Claim 1, wherein said pattern has a feature size
of 1 μm to 50 μm .
4. A method of making an electrode set, comprising:
15 ablating through a portion of a first metallic layer with a laser, to
form an electrode pattern;
 wherein said first metallic layer is on an insulating substrate.
5. The method of Claim 4, further comprising applying a second
metallic layer on said first metallic layer.
- 20 6. The method of Claim 4, wherein said first metallic layer
comprises copper.
7. The method of Claim 4, wherein said first metallic layer
comprises at least one member selected from the group consisting of gold,
platinum, palladium and iridium.
- 25 8. The method of Claim 4, wherein said insulating substrate is a
polymer.

9. The method of Claim 4, wherein said pattern has a feature size of less than 100 μm .

10. The method of Claim 4, wherein said pattern has a feature size of less than 75 μm .

5 11. The method of Claim 4, wherein said pattern has a feature size of 1 μm to 50 μm .

12. The method of Claim 8, wherein said first metallic layer is in contact with said insulating substrate.

10 13. The method of Claim 12, wherein said first metallic layer comprises at least one member selected from the group consisting of gold, platinum, palladium and iridium.

14. A method of making an electrode set ribbon, comprising:
ablating through a portion of a first metallic layer with a laser, to form a plurality of electrode patterns;

15 wherein said first metallic layer is on an insulating substrate, and said electrode set ribbon comprises a plurality of electrode sets.

15. The method of Claim 14, wherein said first metallic layer comprises at least one member selected from the group consisting of gold, platinum, palladium and iridium,

20 said insulating substrate is a polymer, and said first metallic layer is in contact with said insulating substrate.

16. A method of making a sensor strip, comprising:
forming an electrode set by the method of Claim 4; and
cutting said substrate, to form a strip.

25

17. The method of Claim 16, further comprising applying a dielectric on a portion of said metallic layer.

18. The method of Claim 17, further comprising applying a reagent on a portion of said electrode set.

5 19. A method of making a sensor strip, comprising:
forming an electrode set ribbon by the method of Claim 14; and
cutting said ribbon into a plurality of strips;
wherein each of said strips comprises at least one of said
electrode sets.

20. The method of Claim 19, further comprising applying a dielectric on a portion of said metallic layer.

10 21. The method of Claim 20, further comprising applying a reagent on a portion of each of said electrode sets.

22. A patterned laminate, prepared by the method of Claim 1.

23. An electrode set, prepared by the method of Claim 4.

24. An electrode set, prepared by the method of Claim 7.

15 25. An electrode set, prepared by the method of Claim 13.

26. An electrode set ribbon, prepared by the method of Claim 14.

27. A sensor strip, prepared by the method of Claim 19.

28. A sensor strip, prepared by the method of Claim 21.

20 29. An electrode set, comprising:
a first metallic layer, on an insulating substrate, comprising a
plurality of electrodes,
wherein said first metallic layer has a feature size of less than
75 μm .

30. The electrode set of Claim 29, wherein said first metallic layer comprises at least one member selected from the group consisting of gold, platinum, palladium and iridium.

5 31. The electrode set of Claim 30, wherein said insulating substrate is a polymer.

32. The electrode set of Claim 31, wherein said first metallic layer is in contact with said insulating substrate.

10 33. A sensor strip, comprising:
the electrode set of Claim 32,
and a dielectric on a portion of said first metallic layer.

34. The sensor strip of Claim 33, further comprising reagent, on a portion of said first metallic layer.

15 35. Packaged sensor strips, comprising:
a plurality of the sensor strips of Claim 27, a vial, containing said
plurality of said sensor strips, and
a stopper, sealing said vial.

20 36. Packaged sensor strips, comprising:
a plurality of the sensor strips of Claim 28, a vial, containing said
plurality of said sensor strips, and
a stopper, sealing said vial.

25 37. Packaged sensor strips, comprising:
a plurality of the sensor strips of Claim 34, a vial, containing said
plurality of said sensor strips, and
a stopper, sealing said vial.

38. A patterned laminate, comprising:
a patterned metallic layer on, and in contact with, an insulating
substrate,

wherein said metallic layer comprises at least one member selected from the group consisting of gold, platinum, palladium and iridium,

said insulating substrate comprises a polymer, and

said patterned metallic layer has a feature size of less than

75 μm .

5

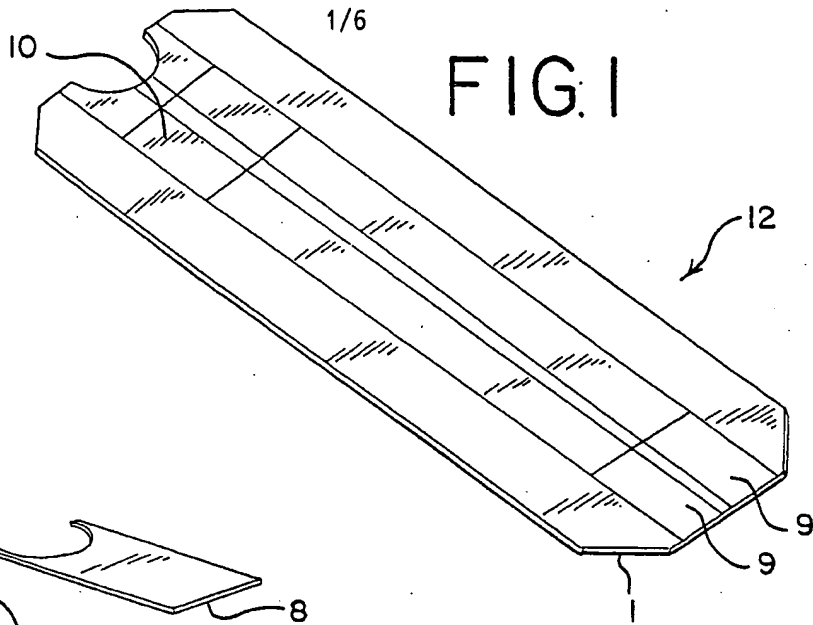


FIG. 1

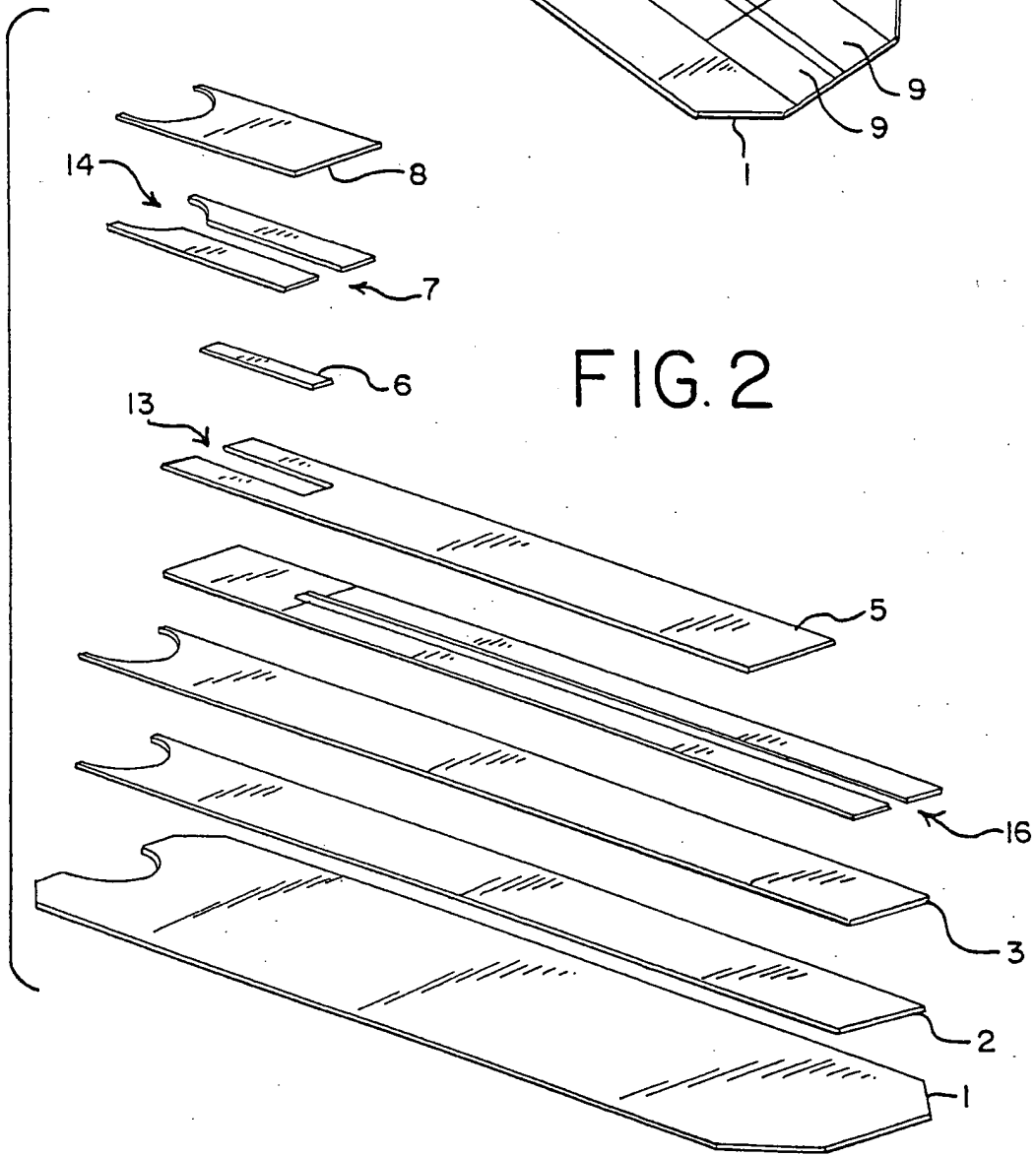


FIG. 2

FIG. 5

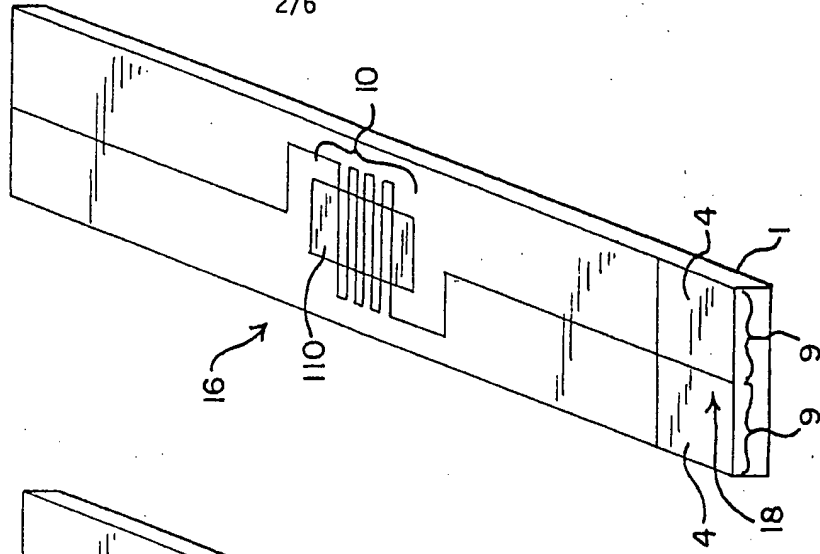


FIG. 4

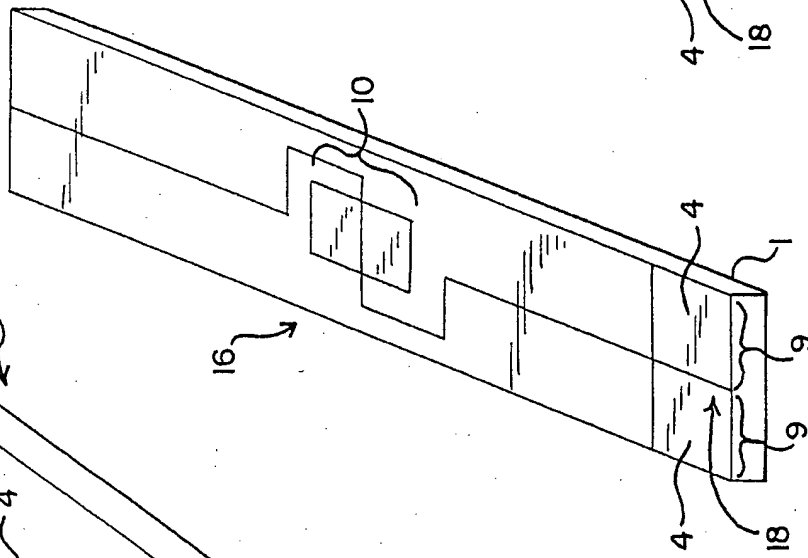


FIG. 3

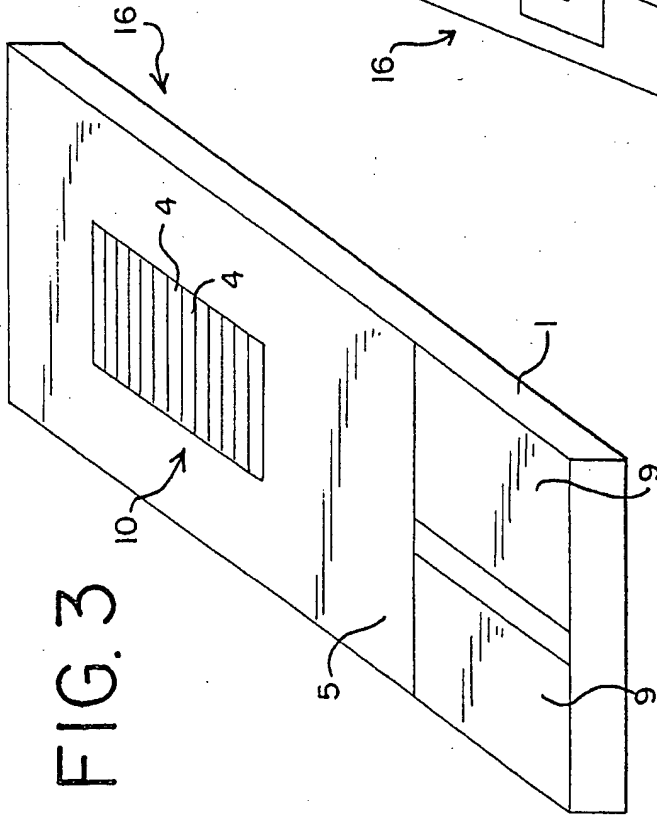
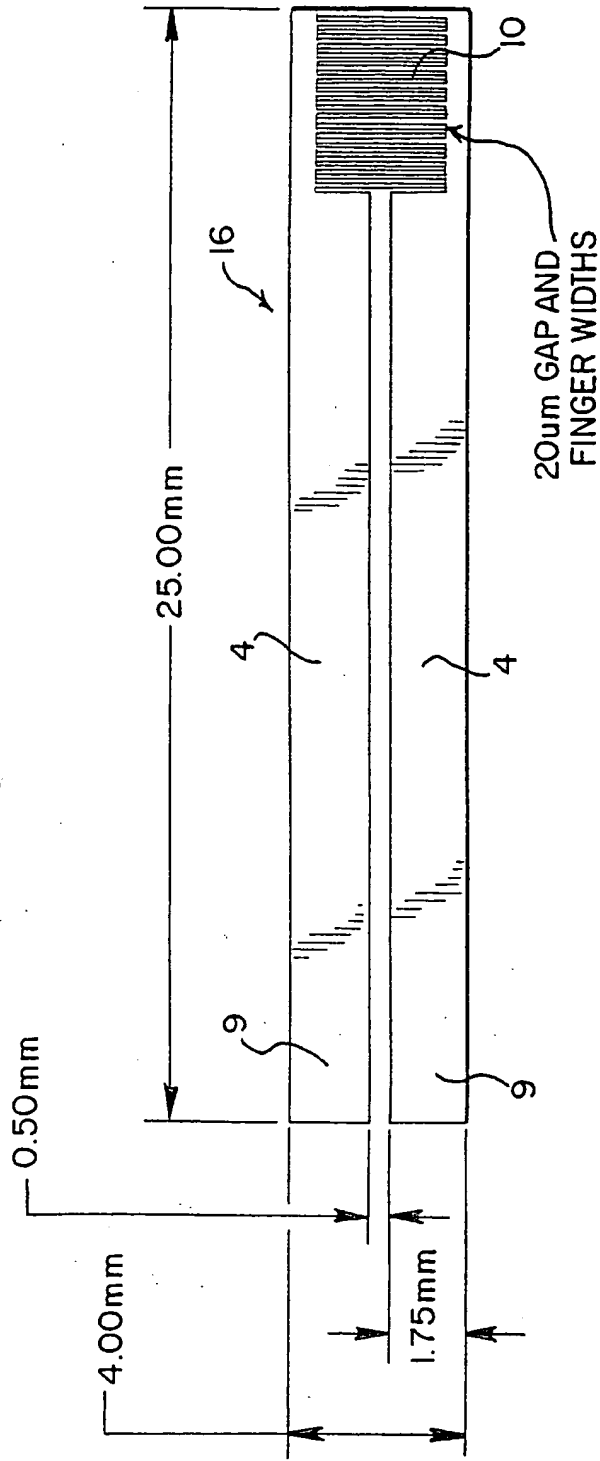


FIG. 6



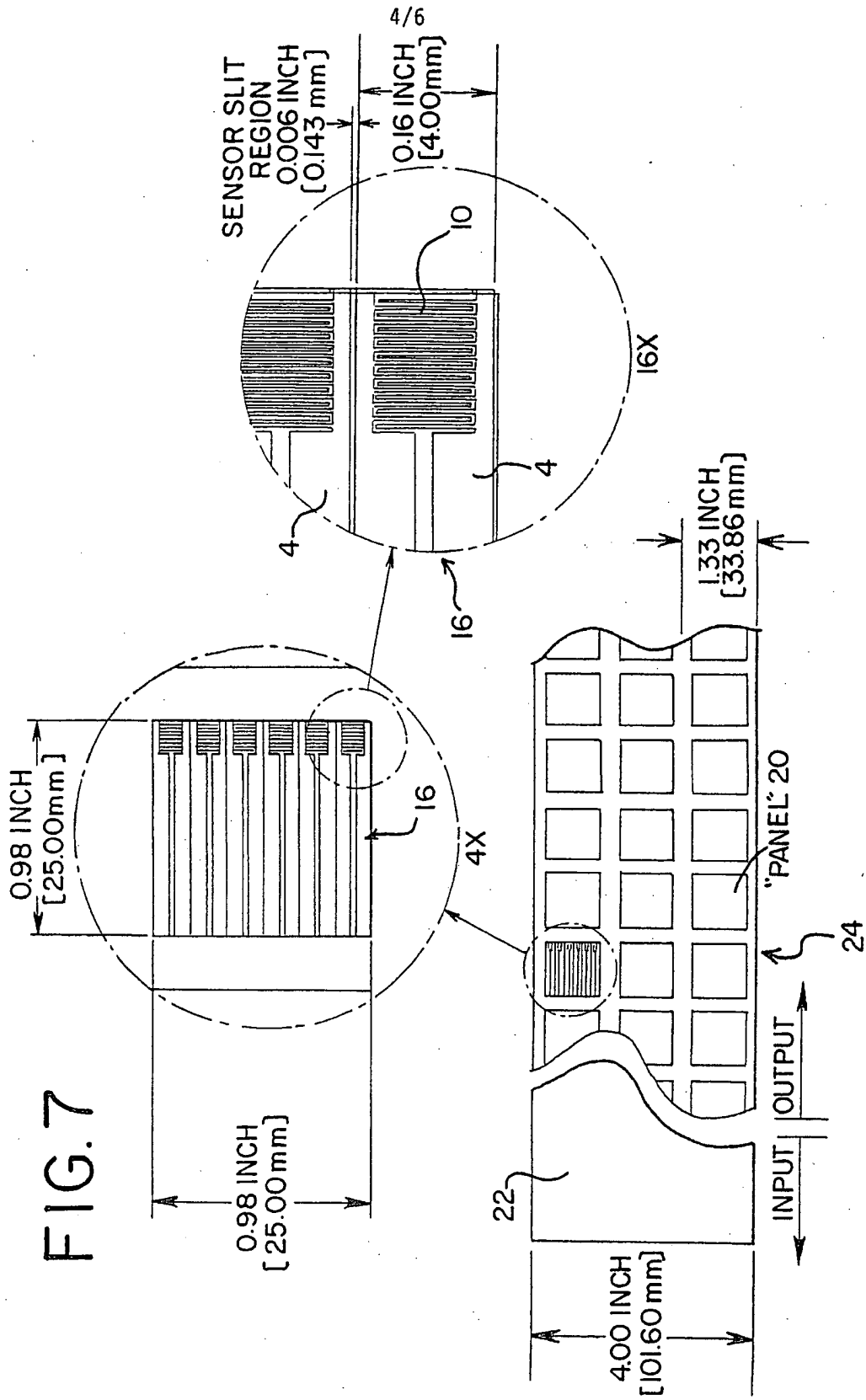


FIG. 8

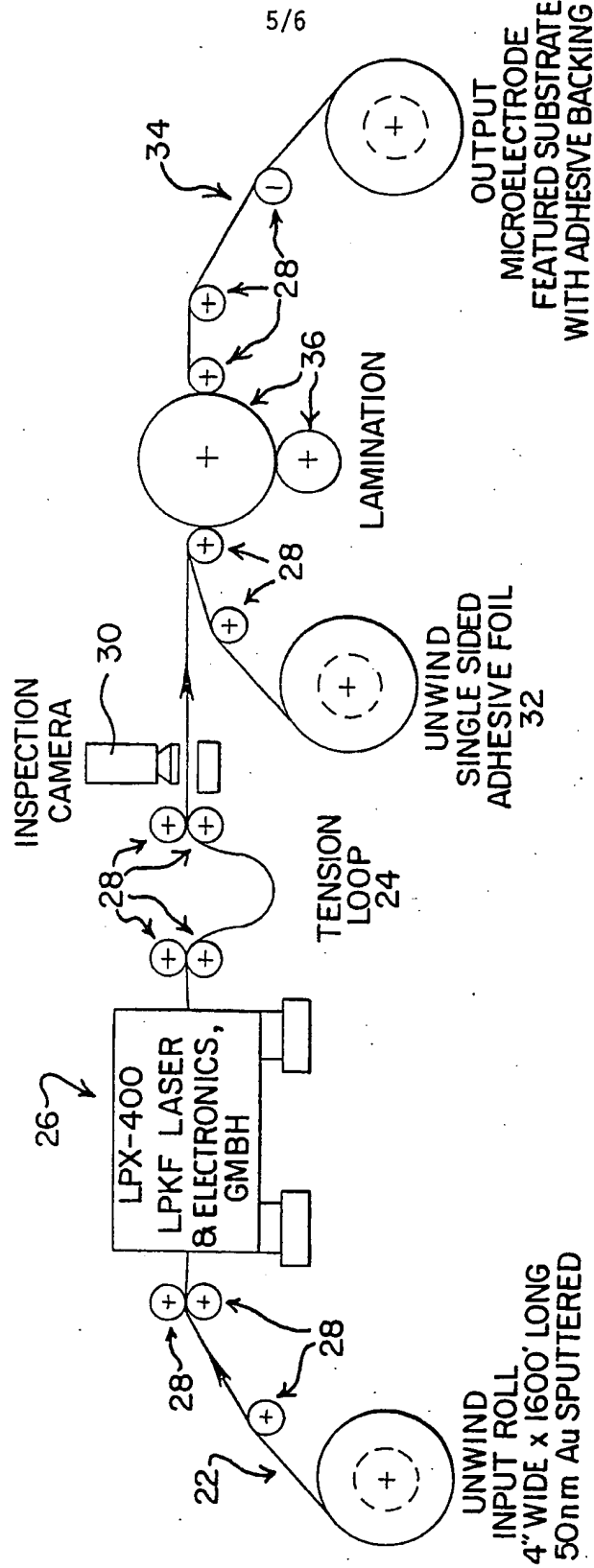
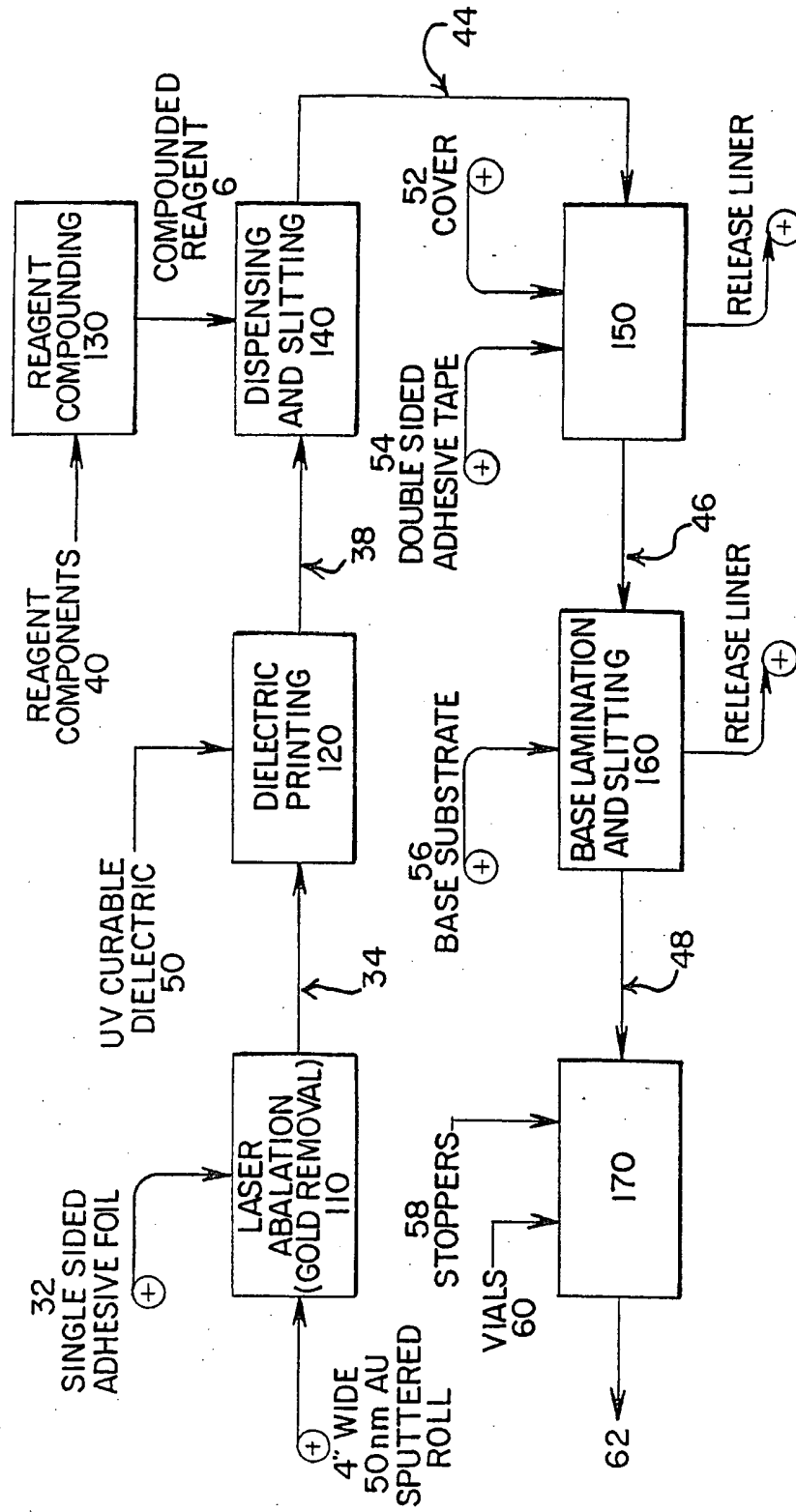


FIG. 9



INTERNATIONAL SEARCH REPORT

International Application No
PCT/US 00/27197

A. CLASSIFICATION OF SUBJECT MATTER
IPC 7 G01N27/30 G01N33/487

According to International Patent Classification (IPC) or to both national classification and IPC

B. FIELDS SEARCHED

Minimum documentation searched (classification system followed by classification symbols)
IPC 7 G01N

Documentation searched other than minimum documentation to the extent that such documents are included in the fields searched

Electronic data base consulted during the international search (name of data base and, where practical, search terms used)

EPO-Internal, WPI Data, PAJ

C. DOCUMENTS CONSIDERED TO BE RELEVANT

Category *	Citation of document, with indication, where appropriate, of the relevant passages	Relevant to claim No.
X	EP 0 480 703 A (GEN ELECTRIC) 15 April 1992 (1992-04-15)	1-3, 22
Y	column 5, line 28 -column 9, line 32	4-21, 23-25, 29-34, 38
Y	WO 97 22875 A (ECOLE POLYTECH ; BEATTIE PAUL DANIEL (CA); BREVET PIERRE FRANCOIS () 26 June 1997 (1997-06-26) page 3, line 23 - line 31 page 5, line 14 - line 18 page 6, line 12 -page 7, line 31 page 9, line 8 - line 30 page 10, line 18 -page 13, line 21	4-15, 23-25, 29-34, 38
Y	US 5 437 999 A (DIEBOLD ERIC R ET AL) 1 August 1995 (1995-08-01) column 3, line 17 -column 10, line 18	16-21
	-/--	

Further documents are listed in the continuation of box C.

Patent family members are listed in annex.

* Special categories of cited documents :

- *A* document defining the general state of the art which is not considered to be of particular relevance
- *E* earlier document but published on or after the international filing date
- *L* document which may throw doubts on priority claim(s) or which is cited to establish the publication date of another citation or other special reason (as specified)
- *O* document referring to an oral disclosure, use, exhibition or other means
- *P* document published prior to the international filing date but later than the priority date claimed

- *T* later document published after the international filing date or priority date and not in conflict with the application but cited to understand the principle or theory underlying the invention
- *X* document of particular relevance; the claimed invention cannot be considered novel or cannot be considered to involve an inventive step when the document is taken alone
- *Y* document of particular relevance; the claimed invention cannot be considered to involve an inventive step when the document is combined with one or more other such documents, such combination being obvious to a person skilled in the art.
- *&* document member of the same patent family

Date of the actual completion of the international search

6 March 2001

Date of mailing of the international search report

16/03/2001

Name and mailing address of the ISA

European Patent Office, P.B. 5818 Patentlaan 2
NL - 2280 HV Rijswijk
Tel. (+31-70) 340-2040. Tx. 31 651 epo nl.
Fax: (+31-70) 340-3016

Authorized officer

Joyce, D

INTERNATIONAL SEARCH REPORT

 International Application No
 PCT/US 00/27197

C.(Continuation) DOCUMENTS CONSIDERED TO BE RELEVANT		
Category *	Citation of document, with indication, where appropriate, of the relevant passages	Relevant to claim No.
X	US 5 575 930 A (TIETJE-GIRAULT JORDIS ET AL) 19 November 1996 (1996-11-19) the whole document ---	1
X	US 5 759 416 A (VAN DOOREN JOHANNES P C ET AL) 2 June 1998 (1998-06-02) the whole document ---	1
X	US 5 874 369 A (FAROOQ MUKTA SHAJI ET AL) 23 February 1999 (1999-02-23) the whole document ---	1
A	EP 0 593 096 A (MEDISENSE INC) 20 April 1994 (1994-04-20) page 4, line 11 - line 26 -----	35-37

INTERNATIONAL SEARCH REPORT

Information on patent family members

International Application No

PCT/US 00/27197

Patent document cited in search report	Publication date	Patent family member(s)	Publication date
EP 0480703 A	15-04-1992	US 5104480 A DE 69125333 D DE 69125333 T JP 4280494 A	14-04-1992 30-04-1997 02-10-1997 06-10-1992
WO 9722875 A	26-06-1997	EP 0868662 A	07-10-1998
US 5437999 A	01-08-1995	CA 2183865 A DE 69519725 D EP 0753051 A JP 9509740 T WO 9522597 A	24-08-1995 01-02-2001 15-01-1997 30-09-1997 24-08-1995
US 5575930 A	19-11-1996	AT 176047 T CA 2146246 A DE 69323205 D DE 69323205 T EP 0663999 A WO 9408236 A	15-02-1999 14-04-1994 04-03-1999 08-07-1999 26-07-1995 14-04-1994
US 5759416 A	02-06-1998	DE 69601784 D DE 69601784 T EP 0806128 A WO 9719580 A JP 10513314 T	22-04-1999 07-10-1999 12-11-1997 29-05-1997 15-12-1998
US 5874369 A	23-02-1999	NONE	
EP 0593096 A	20-04-1994	AU 622196 B AU 3822089 A CA 1313397 A EP 0352138 A JP 2112752 A US 5126034 A	02-04-1992 01-02-1990 02-02-1993 24-01-1990 25-04-1990 30-06-1992

THIS PAGE BLANK (USPTO)